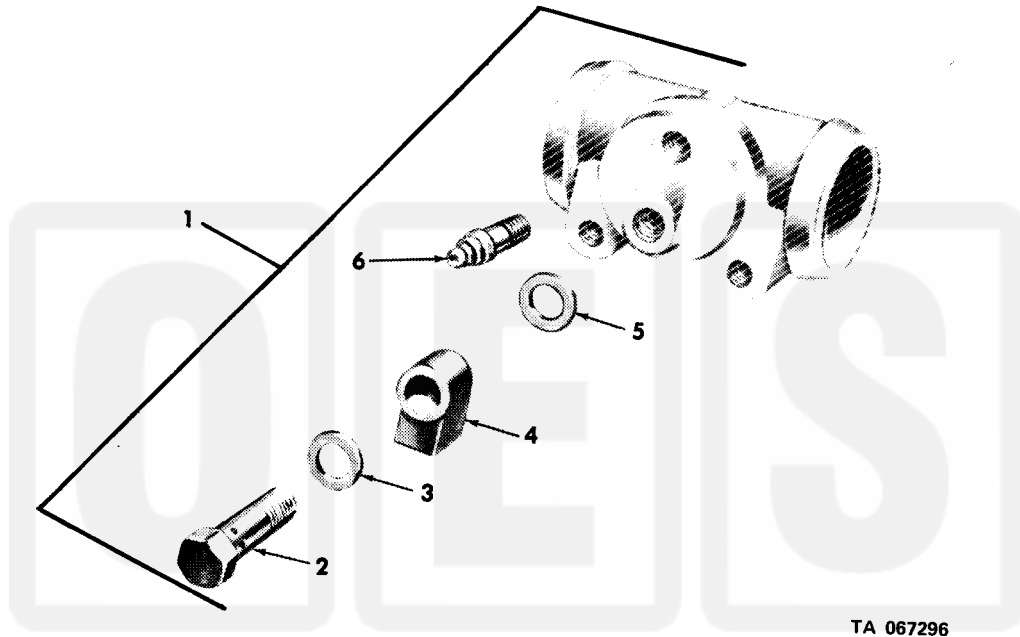


Current part is item (4) on diagram. Available at www.oshkoshequipment.com

(1) ILLUS.	(2) (a) (b) FIG. ITEM NO. NO.	(3) SMR NATIONAL STOCK NUMBER	(4) PART NUMBER	(5) FSCM	(6) DESCRIPTION USABLE ON CODE	(7) U/M	(8) QTY INC IN UNIT
					1204-HYDRAULIC BRAKE SYSTEM		
90	1	PAOZZ	2530-00-274-4511	7411010	19207	CYLINDER ASSEMBLY: HYDRAULIC BRAKES, WHEEL(SEE FIG 89,ITEM NO 8)	EA 6
90	2	PAOZZ	4730-00-516-7419	5167419	19207	BOLT,FLUID PASSAGE	EA 6
90	3	PAOZZ	5310-00-209-1761	5160323	19207	WASHER,FLAT: INLET FITTING BOLT	EA 6
90	4	PAOZZ	4730-00-278-5812	5298521	19207	CONNECTOR,MULTIPLE,FLUID PRESSURE LINE: INLET	EA 6
90	53	PAOZZ	5310-00-275-6635	5214539	19207	WASHER,FLAT: INLET FITTING	EA 6
90	6	PAOZZ	2530-00-737-3260	7373260	19207	BLEEDER,VALVE,HYDRAULIC	EA 6
91	1	PAOZZ	5306-00-317-3096	596453	21450	BOLT,ASSEMBLED WASHER	EA 4
91	2	PAOZZ	5340-00-337-8222	7372733	19207	CONNECTOR,MASTER CYLINDER	EA 1
91	3	PAOZZ	5310-00-839-2066	MS35691-45	96906	NUT,JAM	EA 1
91	4	PAOFF	2530-00-753-9267	7539267	19207	CYLINDER ASSEMBLY,HYDRAULIC: BRAKE,MASTER	EA 1
91	5	PAOFF	4730-00-287-1835	MS49005-2	96906	PIPE,PLUG	EA 1
91	6	PAOFF	2530-00-703-2636	7032636	19207	CAP	EA 1
91	7	PAOFF	5365-00-737-3354	737-3354	19207	SPACER	EA 1
92	3	PAOZZ	5340-00-954-6014	MS21333-121	96906	CLAMP,LOOP: BRAKE LINE	EA 10
92	4	PAOZZ	5340-00-523-5996	7373268	19207	CLAMP,LOOP: BRAKE LINE	EA 5
92	5	PAOZZ	4710-00-752-9371	7529371	19207	TUBE ASSEMBLY,METAL: FORWARD REAR AXLE TEE TO RIGHT WHEEL CYLINDER	EA 1
92	6	PAOZZ	2520-00-752-9373	7529373	19207	LINE,AXLE TEE: REAR AXLE TEE TO RIGHT WHEEL CYLINDER	EA 1
92	7	PAOZZ	4710-00-752-9370	7529370	19207	TUBE ASSEMBLY,METAL: FORWARD REAR AXLE LINE TEE TO LEFT WHEEL CYLINDER	EA 1
92	8	PAOZZ	4710-00-752-9372	7529372	19207	TUBE ASSEMBLY,METAL: REAR,REAR AXLE LINE TEE TO LEFT WHEEL CYLINDER	EA 1
92	9	PAOZZ	5340-00-904-3705	MS21333-82	96906	CLAMP,LOOP: REAR AXLE BRAKE HOSE TO TORQUE ROD AA,AB	EA 4
92	9	PAOZZ	5975-00-156-3253	MS3367-2-9	96906	STRAP,ADJUSTABLE,TIEDOWN AC	EA 4
92	10	PAOZZ	5310-00-934-9751	MS35650-302	96906	NUT: CLAMP MTG AA,AB	EA 4
92	11	PAOZZ	5310-00-809-8546	MS27183-8	96906	WASHER,FLAT: CLAMP MYG AA,AB	EA 8
92	12	XBOZZ		424339	21450	SCREW,ASSEMBLED WASHER: BRAKE HOSE CLAMP AA.AB	EA 4
92	13	PAOZZ	4720-00-737-3248	7373248	19207	HOSE ASSEMBLY,NON METAL: SUPPLY FORWARD,REAR AND REAR AXLE BRAKE	EA 2
92	14	PAOZZ	4730-00-737-3249	7373249	19207	TEE,MULTIPLE,FLUID PRESSURE LINE: REAR,REAR AND FORWARD REAR AXLE BRAKE WHEEL CYLINDER LINE	EA 2

Current part is item (4) on diagram. Available at www.oshkoshequipment.com



TA 067296

Figure 90. Wheel cylinder assembly.